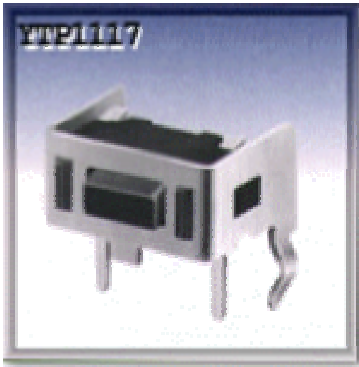


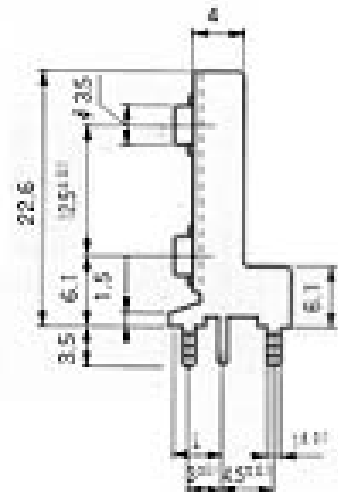
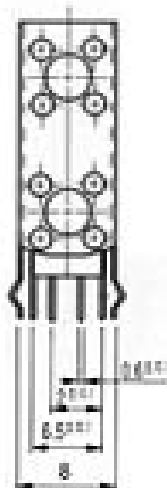
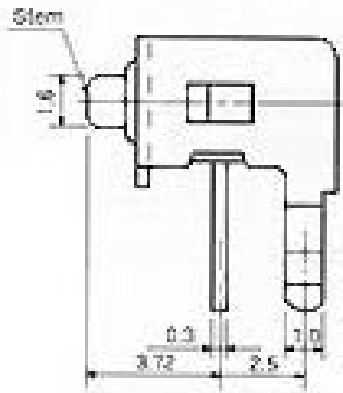
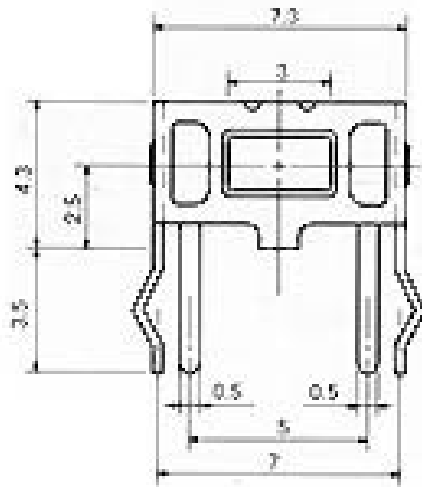


CHUNGSONG

TACTILE SWITCHES



1. Contact : Mechanical Contact
2. Rating : DC 12V, 50mA
3. Travel : 0.25 ± 0.1 mm/m
4. Contact Resistance : 100mΩ Max



1. Contact : Mechanical Contact
2. Rating : DC 12V 50mA
3. Travel : 0.25 ± 0.1 mm/m
4. Contact Resistance : 100mΩMax
5. Life : 100.000 Cycles Min

OPERATING FORCE	STEM COLOR
160 ± 50gf	See Below
260 ± 50gf	White

MODEL NO.	TP2205	TP2205A	TP2205B	TP2205C	TP2205D	TP2205E	TP2205F	TP2205G
L	4.3	5.0	9.5	8.0	13.0	7.3	8.5	7.0
Stem Color	Black	Black	Black	White	Black	Ivory	Blue	Black

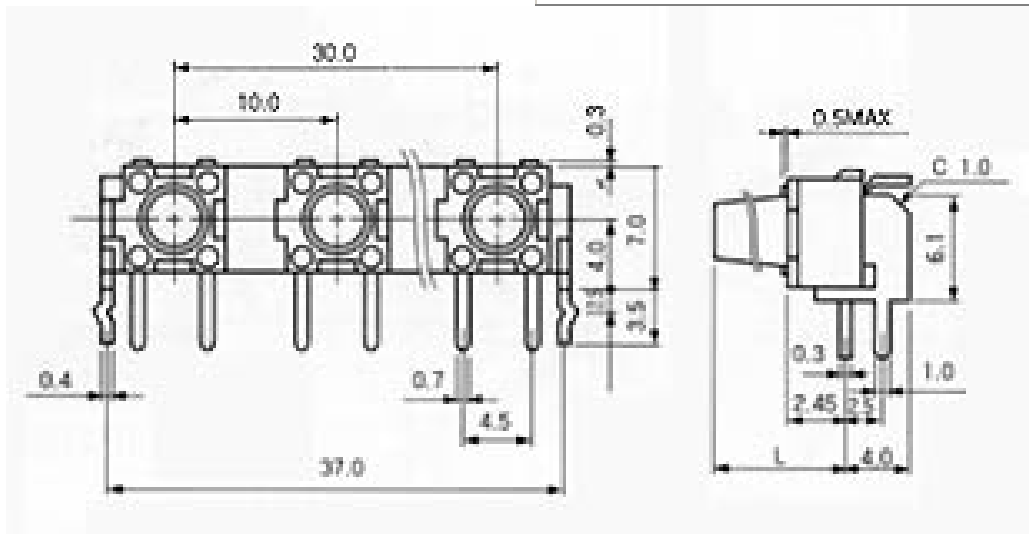


TACTILE SWITCHES



1. Contact : Mechanical Contact
2. Rating : DC 12V 50mA
3. Travel : 0.25 ± 0.05 mm/m
4. Operating Force : $100 \pm 50/0$ gf or 160 ± 30 gf
5. Contact Resistance : $100\text{m}\Omega$ Max
6. Life : 100.000 Cycles Min

MODEL NO.	L	STEM COLOR
TP 41-02	3.15	Black
TP 41-02A	3.85	Black
TP 41-02B	8.35	Black
TP 41-02B	6.85	White





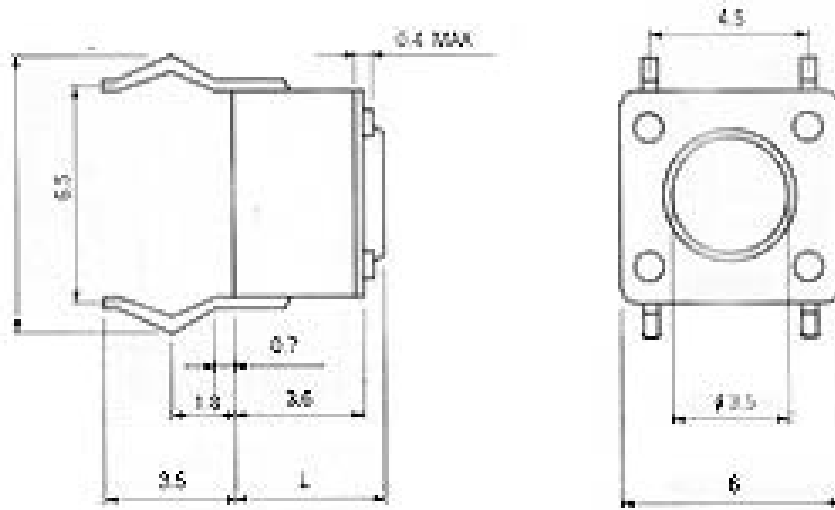
CHUNGSONG

TACTILE SWITCHES



1. Contact : Mechanical Contact
2. Rating : DC 12V 50 mA
3. Travel : 0.25 ± 0.07 m/m
4. Operating Force : 160 ± 30 gf
5. Contact Resistance : 100mΩ Max
6. Life : 100,000 Cycles Min.

OPERATING	STEM COLOR
160 ± 50gf	See Below
260 ± 50gf	White



MODEL NO.	TP1230	TP1230A	TP1230B	TP1230C	TP1230D	TP1230E	TP1230F	TP1230G	TP1230J
L	4.3	5.0	9.5	8.0	13.0	7.3	8.5	7.0	17.0
Stem Color	Black	Black	Black	White	Black	Ivory	Blue	Black	Black



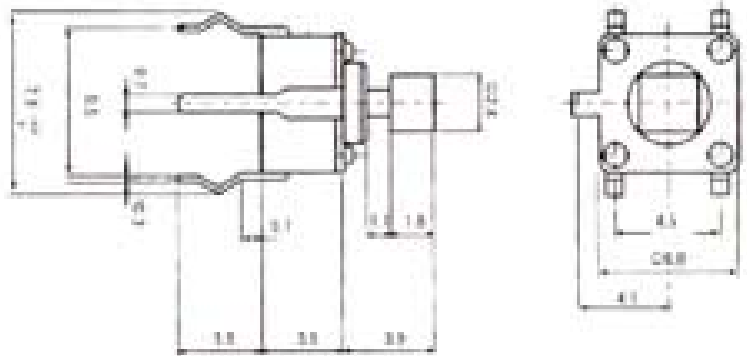
1. Contact : Mechanical Contact
2. Rating : DC 12V 50 mA
3. Travel : 0.25 ± 0.07 m/m
4. Operating Force : 160 ± 30 gf.
5. Contact Resistance : 100mΩ Max.
6. Life : 100,000 Cycles

OPERATING FORCE	STEM COLOR
160 ± 50gf	See Below
260 ± 50gf	White



1. Contact : Mechanical Contact
2. Rating : DC 12V 50 mA
3. Travel : 0.25 ± 0.07 m/m
4. Operating Force : 160 ± 30 gf
5. Contact Resistance : 100mΩ Max
6. Life : 100,000 Cycles

MODEL NO.	L	Color
TP1234	2.4	Blue
TP1234A	2.8	Black

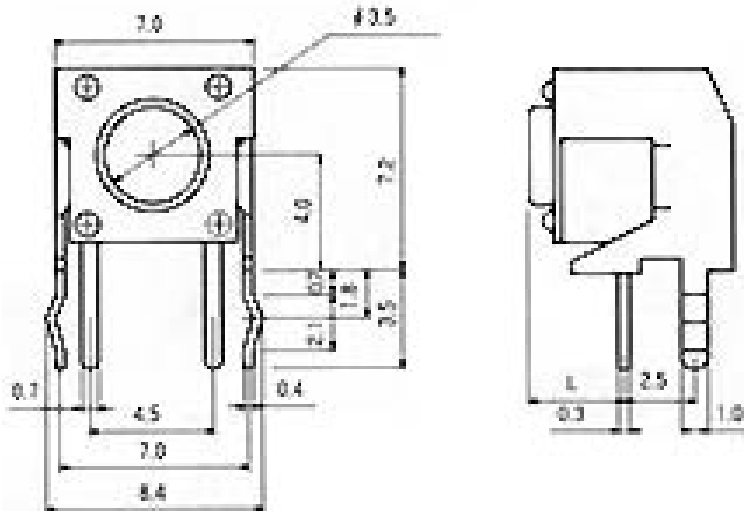


MODEL NO	Material	Package	Q'TY	Terminal and Dome	Life	Soldering	Stem Color
YTP1235GL	Nylon66	Bulk	2000pcs	Ag0.5μ	1,000,000 cycles	Hand or Auto	Red
YTP1235GAU	Nylon66	Bulk	1000pcs	Ag0.2μ	100,000 cycles	Hand or Auto	Red

- Contact : Mechanical Contact
 - Rating : DC 12V 50 mA
 - Travel : 0.25 ± 0.07 mm/m
 - Operating Force : 160 ± 30 gf
 - Contact Resistance : 100mΩ Max
 - Life : 100,000 Cycles
- SPECIAL MODEL



- Contact : Mechanical Contact
- Rating : DC 12V 50 mA
- Operating Force : 0.25 ± 0.07 mm/m
- Contact Resistance : 100mΩ Max
- Life : 100,000 Cycles Min.
- Operating Mode : 160 ± 30 gf



MODEL NO	YTP 1236	YTP 1236A	YTP 1236B	YTP 1236C	YTP 1236D	YTP 1236E	YTP 1236F	YTP 1236G	YTP 1236J
L	3.15	3.85	8.35	6.85	11.85	6.15	7.35	5.85	17.0
Stem Color	Black	Black	Black	White	Black	Ivory	Gray	Black	Black



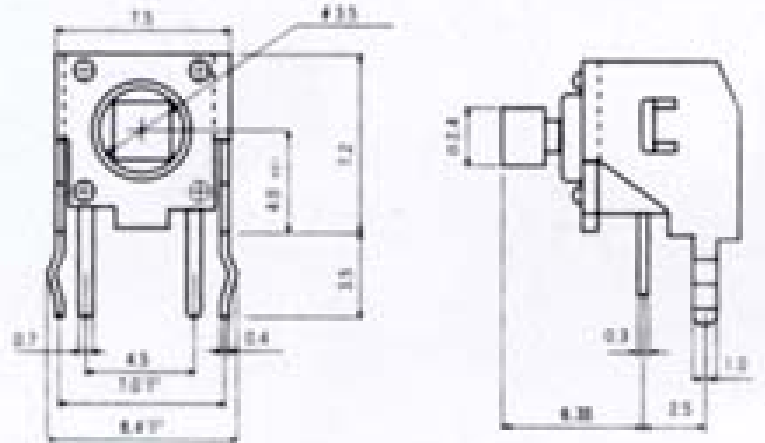
CHUNGSONG

TACTILE SWITCHES



YTP 1236T

- 1. Contact: Mechanical Contact
- 2. Rating: DC 12V, 50mA
- 3. Travel: $0.25 \pm_{0.1}^{0.2}$ m/m

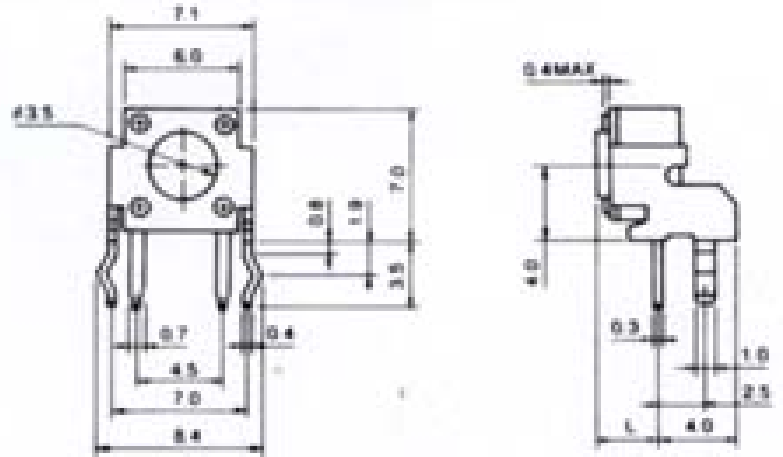


- 4. Operating Force: 160 ± 30 gf
- 5. Contact Resistance: $100 \text{m}\Omega \text{max.}$
- 6. Life: 100,000 Cycles Min.



YTP 1236-1

- 1. Contact: Mechanical Contact
- 2. Rating: DC 12V, 50mA
- 3. Travel: $0.25 \pm_{0.1}^{0.2}$ m/m
- 4. Contact Resistance: $100 \text{m}\Omega \text{max.}$
- 5. Life: 100,000 Cycles Min.



OPERATING FORCE	STEM COLOR
100±50gf	BROWN
160±50gf	See Below
260±50gf	RED

MODEL NO.	YTP 1236	YTP 1236A	YTP 1236B	YTP 1236C	YTP 1236D	YTP 1236E	YTP 1236F	YTP 1236P	YTP 1236J
L	3.15	3.85	8.35	6.85	11.85	6.15	5.85	7.35	15.85
COLOR	BLACK	BLACK	BLACK	WHITE	BLACK	IVORY	BLUE	BLACK	BLACK

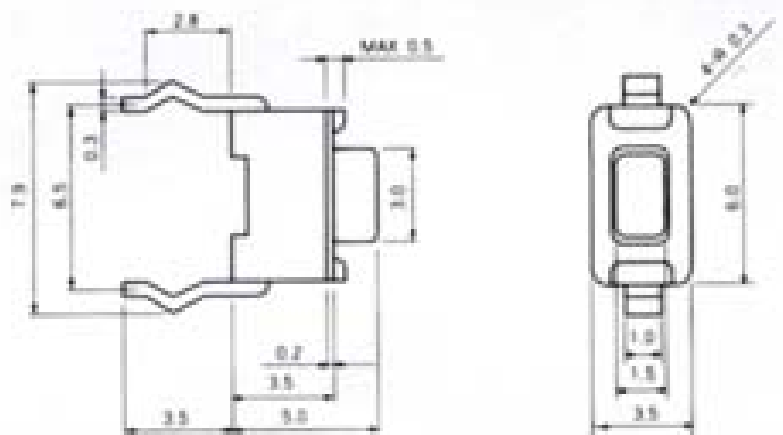
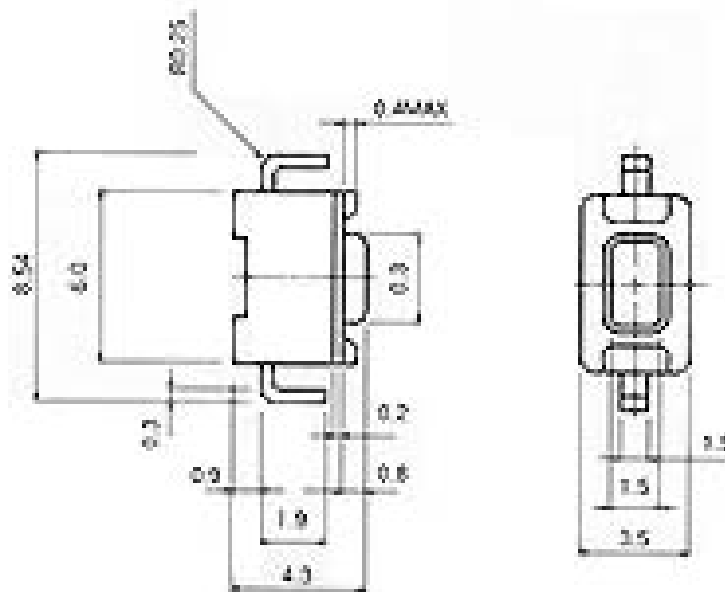


CHUNGSONG

TACTILE SWITCHES

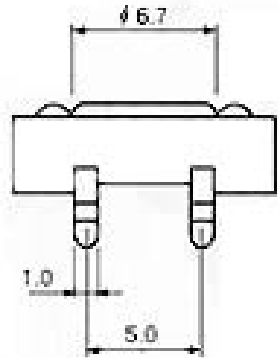
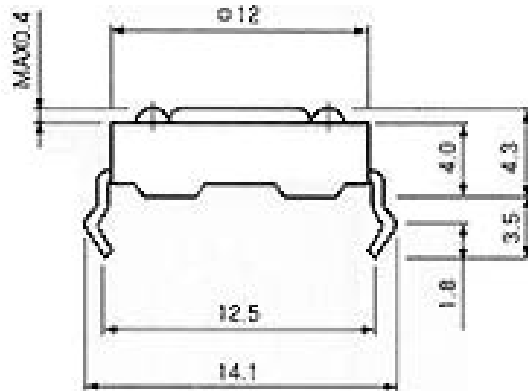


1. Rating : DC 12V, 50mA
2. Contact : Mechanical Contact
3. Travel : 0.25 ± 0.07 m/m
4. Contact Resistance : 100m Ω Max
5. Life : 50,000 Cycles Min.



1. Contact: Mechanical Contact
2. Rating: DC 12V, 50mA
3. Travel: $0.25 \pm 0.20.1$ m/m
4. Contact Resistance: 100m Ω max.
5. Life: 50,000 Cycles Min.

OPERATING FORCE	CASE COLOR
180 \pm 30 gf	BLACK
260 \pm 50 gf (TP1250W)	WHITE



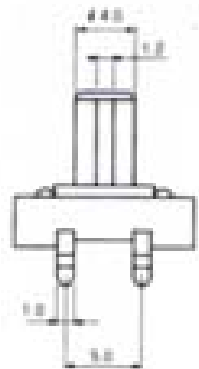
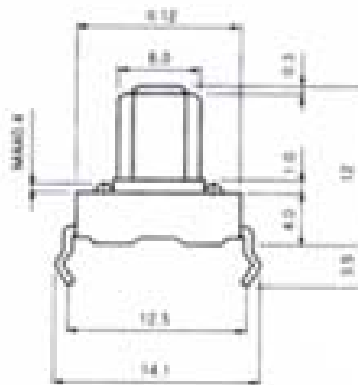
1. Contact : Mechanical Contact
2. Rating : DC 12V, 50mA
3. Travel : $0.3 \pm 0.15\text{m/m}$

4. Operating Force :

- $130 \pm 50\text{gf}$
- $160 \pm 50\text{gf}$
- $260 \pm 50\text{gf}$

5. Contact Resistance : $100\Omega\text{Max}$

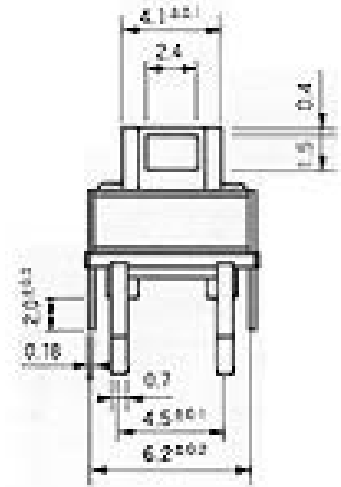
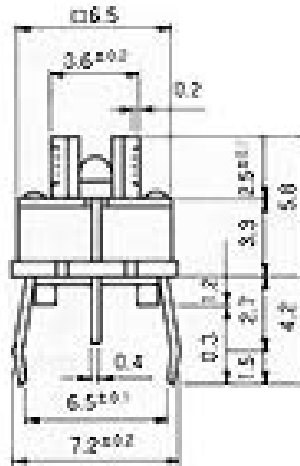
6. Life : 100,000 Cycles Min





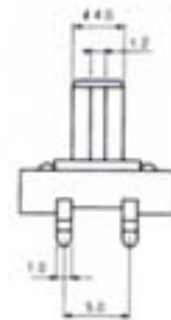
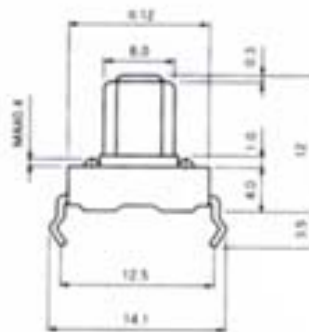
CHUNGSONG

TACTILE SWITCHES



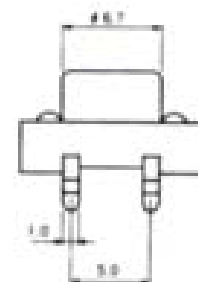
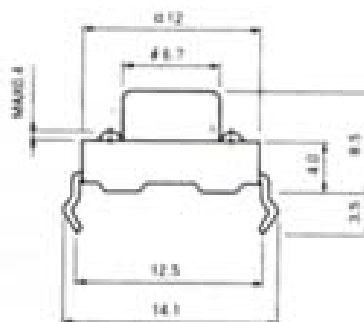
1. Contact : Mechanical Contact
2. Rating : DC 12V, 50mA
3. Travel : 0.25 ± 0.07 m/m
4. Operating Force : 160 ± 30 gf
5. Contact Resistance : $100\text{m}\Omega$ Max
6. Life : 100,000 Cycles Min
7. With Led : Option

MODEL NO.	COLOR(LED)
TP 1194 R	Red
TP 1194 G	Green
TP 1194 Y	Yellow



1. Contact: Mechanical Contact
2. Rating: DC 12V, 50mA
3. Travel: 0.3 ± 0.15 m/m
4. Operating Force: 160 ± 50 gf , 260 ± 50 gf

5. Contact Resistance: $100\text{m}\Omega$ max.
6. Life: 100,000 or 1,000,000 Cycles Min.
7. Boss: YTP 1212EB



1. Contact: Mechanical Contact
2. Rating: DC 12V, 50mA
3. Travel: 0.3 ± 0.15 m/m
4. Operating Force: 160 ± 50 gf , 260 ± 50 gf

5. Contact Resistance: $100\text{m}\Omega$ max.
6. Life: 100,000 or 1,000,000 Cycles Min.
7. Boss: YTP 1212EA



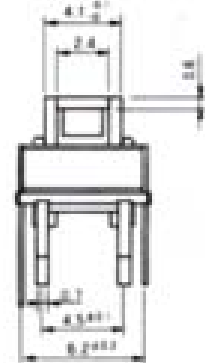
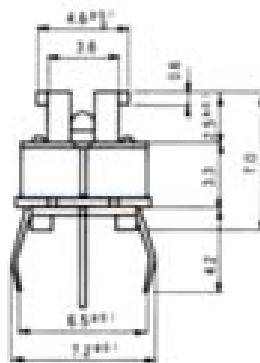
Features

12mm long-stem type
 Snap-in Type, can be mounted directly on P.C.board.
 Pat of output terminals can be used as jumper lead, thus making circuit arrangement easy.

Applications

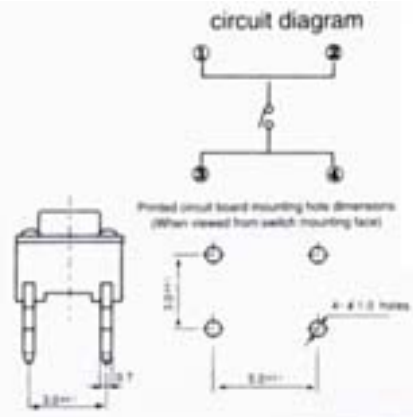
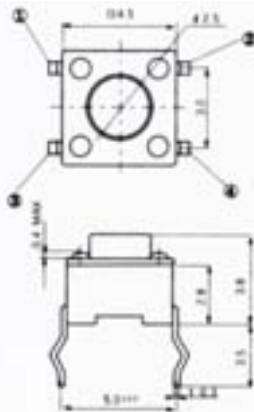
All types of electronic control systems in audio products, business machines, TV sets VCRs etc.

MODEL	Operating	Travel	Rating(max)	Lifetime (5mA5VDC)	INITIAL contact Resistance	Stem color	Case Color
YTP1212H	160g	0.3mm	50mA 12VDC	1KK cycles	max. 100MΩ	Light gray	Black
YTP1212HS	260g	0.3mm	50mA 12VDC	100K cycles	max. 100MΩ	Light gray	Black



- Contact: Mechanical Contact
- Rating: DC 12V, 50mA
- Travel: $0.25 \pm_{0.1}^{0.2}$ m/m
- Operating Force: 160 ± 30 gf White
- Contact Resistance: $100\text{m}\Omega$ max.
- Life: 100,000 Cycles Min.

MODEL NO.	Color(Led)
YTP 1193R	Red
YTP 1193G	Green
YTP 1193Y	Yellow

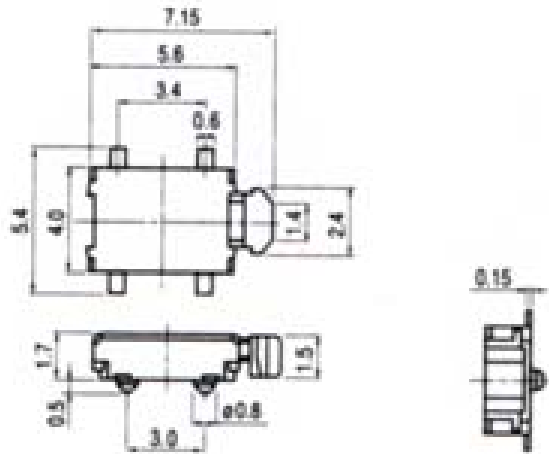


- Contact: Mechanical Contact
- Rating: DC 12V, 50mA
- Travel: $0.25 \pm_{0.1}^{0.2}$ m/m

- Operating Force: 160 ± 30 gf
- Contact Resistance: $100\text{m}\Omega$ max.
- Life: 100,000 Cycles Min.



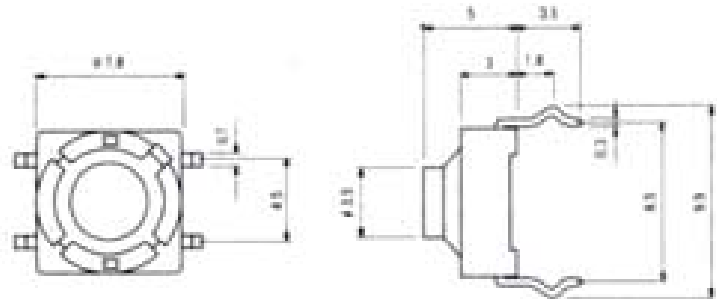
1. Rating: DC 12V, 50mA
2. Poles-Throws:1C-1P
3. Stroke:0.25mm



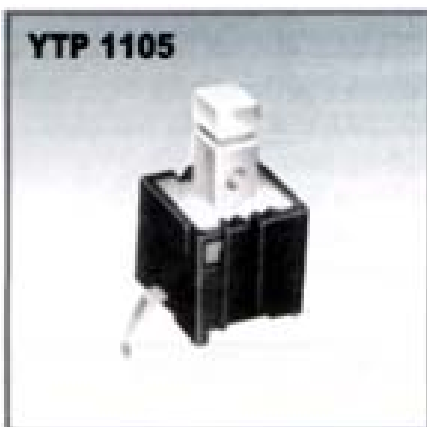
4. Operating Force:180 \pm 60 gf
5. Contact Resistance: 500m Ω max.
6. Life:50,000 Cycles



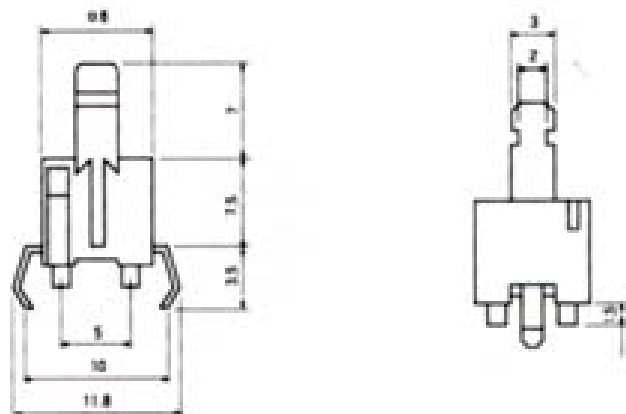
1. Rating: DC 12V, 50mA
2. Travel: 1 m/m
3. Operating Force:120 \pm 30 gf



4. Contact Resistance: 1k Ω max.
5. Life:100,000 Cycles Min.



1. Rating: DC 12V, 50mA
2. Travel: 1 m/m
3. Operating Force:120 \pm 30 gf



4. Contact Resistance: 1k Ω max.
5. Life:100,000 Cycles Min.